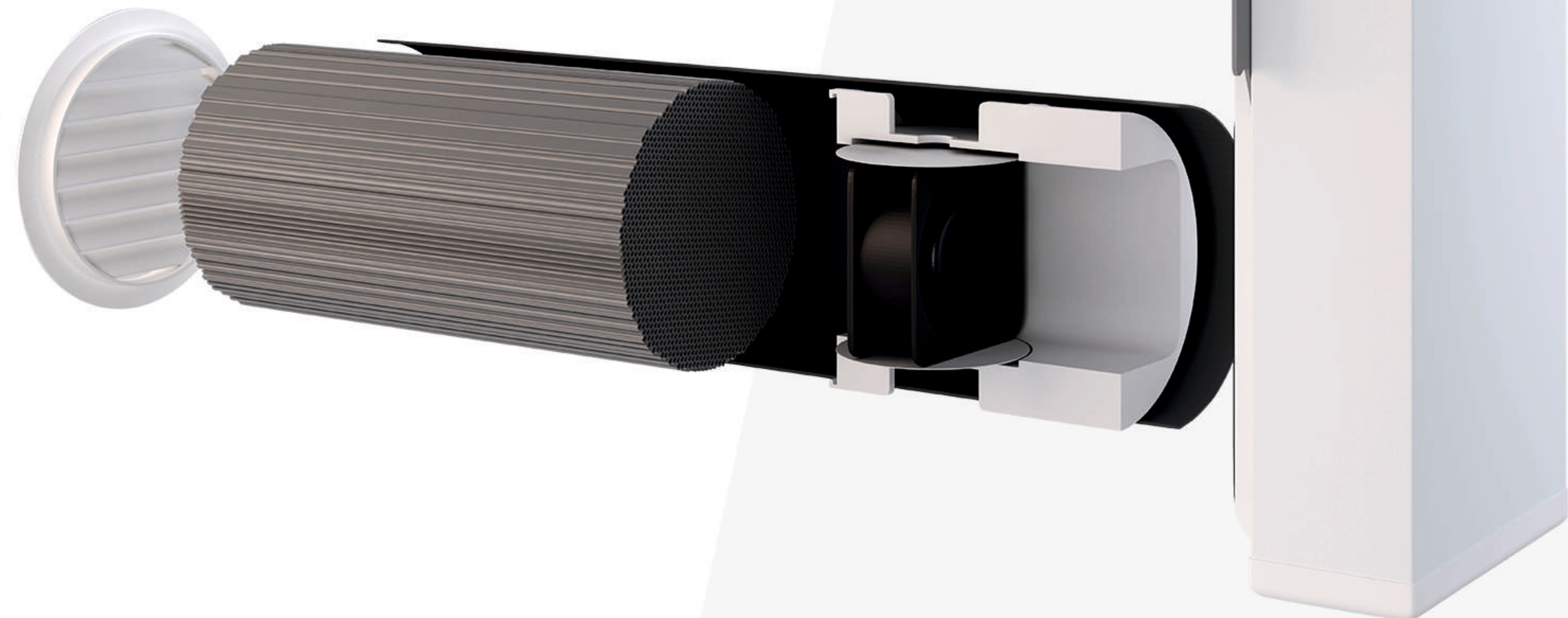


Bring the fresh air into your home with the help of 'Vakio' recuperators!

Energy-efficient compact ventilation for
comfortable living both in apartments and houses



'Vakio'— combined extract and input ventilation with recuperation function

Vakio cares about the quality of the air, so that the residents feel comfortable and do not get sick



Renews the air

The device supplies fresh air from the street, so pulls out carbon dioxide out of the room. Air exchange is up to 120 m³/h.



Warms the air in winter

VAKIO uses air heat from the room to warm up incoming outdoor air. Coefficient of efficiency is 80-85%.



Cools the air in summer

Recuperator partially reduces the temperature of incoming outdoor air using heat regenerator.



Minimum electricity disbursements

Power consumption of the device is about 5-18W.



Cleans the air of dust and allergens

EU6 filters keep up to 80% of dust and pollen which size bigger than 4 micron.



Normalizes humidity

Recuperator gently remove excessive humidity in the room.



Suppresses street noise

The muffler suppresses up to 40 dBA of street noise.

'Vakio' warms up outdoor air with minimal electricity disbursements

The polymer heat exchange module retains up to 85% of the heat of the air leaving the room and warms the incoming outdoor air



Apartments and houses residents face problems that can not be solved without ventilation

The windows are closed:

Stuffy 

Excessive humidity 

Unpleasant smells 



The windows are opened:

 Noisy

 Polluted air

 Large heating and electricity expenses



'Vakio' solves all these problems!

Residents are breathing fresh clean air without drafts, street noise and energy costs



Constant air exchange

Vakio renews indoor air and reduces CO2 levels.



Normal humidity

Vakio gradually removes excess moisture, even if there is a permanent source of moisture in the room.



Fresh air

Vakio removes unpleasant odors and substitute them with fresh air.



Quiet, as it is with a closed window

Vakio traps up to 40 dB of street noise.



Economy

Vakio warms up and cools the air with the help of recuperation. The electricity consumption is about 5-18 W / hour. The device reduces the expenses of heating and air conditioning.



Fresh air

Vakio has a filter that detains up to 80% of dust and pollen bigger than 4 microns.

'Vakio' reduces heat loss by ventilation to 85% and saves the family budget

Vakio recuperators **return up to 85%** of the heat leaving through ventilation



Hermetic channel

Air passes through the ventilation duct only



Heat exchange module

The polymer regenerator returns up to 85% of the heat to incoming outdoor air without the electricity expenses



Low electric energy consumption

Electric energy consumption — about 5-18 W/hour



Reduction of heating and air conditioning disbursements

Warm air does not leave the house through open windows, which means you do not need to turn on the heating and air conditioning at full capacity to maintain a comfortable indoor temperature.



Low maintenance cost

The cost of the set of 3 filters is 58 PLN. It will last for 9-18 months.

'Vakio' is your advantage in a competitive real estate market



Increase the attractiveness of the dwelling

Your clients receive a comfort-class apartment equipped with modern energy-efficient ventilation, which takes care of air quality and protects from street noise.



Increase the loyalty of tenants

According to our customers' feedback, it is much nicer to be in an apartment with installed Vakio device.



Reduce the number of complaints about ventilation to 0

Unreasonable ventilation leads to increased humidity and problems with the drying out of materials in new homes, which leads to complaints of tenants.



Save on ventilation

For our partners one Vakio recuperator purchase cost starts from 583 PLN.



Easy installation

The Vakio recuperator does not require air ducts construction or ceilings dipping. It takes up to 1 hour to install.



Does not require any project development

Vakio can be installed even on the ready-made finish.

Recuperator is an indispensable element for a comfortable life in an apartment or house

Provide your customers' apartments with quality ventilation right now.

- ◆ According to ASHRAE Standard 62, air exchange from 30 m³/hour per person must be ensured in all living quarters.
- ◆ In all European countries, recuperation systems are used throughout the reconstruction and new construction of residential buildings and commercial premises in accordance with the requirements of the Kyoto Protocol.
- ◆ The European Union plans to build houses exclusively for low energy consumption by 2020. Install the Vakio recuperators while constructing and your buildings will fully comply with European energy efficiency standards.



Compact recuperators 'Vakio' are known as the most profitable solution in the European market


In terms of price and functionality for July 2018

- ◆ 4 operating modes: inflow, air suction, recuperation, natural ventilation
- ◆ Capacity - up to 120 m³/h
- ◆ Sound attenuation - up to 40 dBA
- ◆ Filtration class - EU6
- ◆ 7 speeds of the device
- ◆ Ability to synchronize several devices
- ◆ Easy installation in one hour



The 'Vakio' company is the sales leader among recuperators in the Russian market



 Operates on the market since 2016 year

 Own development department

 Operational warehouses
in Moscow and St. Petersburg

 Over 180 dealers
in Russia, Belarus, Kazakhstan and Kyrgyzstan

 Own production in Russia
Novosibirsk

We offer favorable terms for co-operation



01



Dealer prices

For our dealers the price of the device is with a discount up to 40% of the recommended retail price

02



Short lead time

We send the devices within 1-3 days after the payment

03



Deliveries of any volume

Our production facilities allow us to produce up to 2 000 recuperators per month.

Own production in Russia - Novosibirsk, Siberia