

Kalancha Ltd.

ISO 9001:2015

Powder Fire Extinguishing Module
“BiZone”
MPP(N)-7,5-KD-1-Z-U2

TC 4854-018-13393076-2008

Technical Data Sheet

4854-018-13393076-2008 PS

Certificate of conformity № C – RU.ПБ97.В.00721

Validity 09.05.2022



1. The Application

1.1 The powder fire-extinguishing module is intended for extinguishing A (combustible materials), B (flammable liquids), C (flammable gas) fire classes and electrical equipment fire.

1.2 The module is not intended for extinguishing substances which burning can occur without air access, as well as metals, alloys, and organometallic compounds.

2. Technical characteristics

1. Technical characteristics, m ³ , of class A fire	60
of class B fire	45
2. The maximum fire class is B	13B
3. Capacity of the shell, l	7.5
4. Total weight of filled module, kg	28
5. Amount of used working gas (carbon dioxide), kg	2.3 ±0.1
6. Amount of powder "Phoenix ABC-70", kg,	6.2±0.2
7. Operating temperature range, °C	(-50 – +50)
8. Operating pressure in the module, MPa	1.4
9. Duration of dry chemical discharge, s, not over	5
10. Response time, s, not over	1
11. Amount of powder residue after actuation of the module,%, not over	15
12. Inrush current, A, not less	0.5
13. Safe current circuit test, mA (within 5min)	50

3. Delivery Kit

3.1. Module MPP(N)-7,5-KD-1-Z-U2	-1pc.
3.2. Bracket for module installation	-1pc.
3.3. Data sheet	-1pc.

4. Construction and principle of operation

The dry chemical fire extinguisher module consists of a shell (cylinder) containing dry chemical and carbon dioxide under pressure. The shell includes a siphon with membrane node. The siphon is equipped with closure-trigger system with electric actuator and a nozzle.

In case of fire signal from the control-trigger device is supplied to the electric actuator. When electric actuator is triggered, the punch installed in the CTS, under the action of gases formed during the tripping, beats the membrane in the siphon. The gas-powder extinguishing substance from the cylinder enters protected enclosure through the CTS and nozzle.

5. Safety measures

- 5.1. Blows of the shell of the module or the CTS are not allowed during the transportation, storage, installation and operation of the module.
- 5.2. Do not install the module in close proximity (not less than 1.5 m) to heating devices and in places where temperature exceeds +50°C.
- 5.3. Do not disassemble the CTS, the membrane node in the body of the siphon.
- 5.4. Not allowed to operate the modules with signs of blows, dents, etc.

6. Getting started

- 6.1. Remove the module from the packaging, make a visual inspection in accordance with clause 5.4.
- 6.2. To install the module on the wall of the protected enclosure using the mounting bracket.

ATTENTION!

In the package the module is fixed in the bracket in the transport position.

Before installing the module on the wall of the protected enclosure it is necessary to:

- loosen the bolts of the clamps position 10 position 9;
- rotate the module in the operating position, i.e., the nozzle should be perpendicular to the plane of the wall on which it is fixed;
- tighten the clamp bolts.

6.3. To verify the integrity of electric actuator of the module.

6.4. To connect the unit to the automatic fire extinguishing system.

ATTENTION!

To verify the integrity of the module's electric actuator, use a device that produces not over 0.05 a for no more than 5min.

The resistance device electric actuator is 1.5-4.5 Ω.

6.5. Allowed the supply of fire extinguishing dry chemical on the pipeline in length not over 12 m long with 3 turns at 90°. The pipeline should be made of steel water-gas supply pipes 15×2.8 GOST 3263-75 and meet the requirements SP5.13130.2009 (p. p. 9.2.1.,9.2.11).

7. Maintenance

7.1. Once a year check the weight of the module.

7.2. Periodicity of technical inspections of cylinder is 5 years.

ATTENTION!

FILLING OF CYLINDERS WITH POWDER AND CARBON DIOXIDE, THE ASSEMBLY AND DISASSEMBLY OF THE MODULE SHOULD BE CARRIED OUT BY ORGANIZATIONS HAVING THE PERMISSION OF THE MANUFACTURER OF THE MODULE AND THE LICENSE OF EMERCOM OF RUSSIA FOR THIS KIND OF ACTIVITIES, APPROPRIATE EQUIPMENT AND TRAINED STAFF.

IT SHOULD BE USED ITEMS AND FIRE EXTINGUISHING POWDER RECOMMENDED BY THE MANUFACTURER.

8. Warranty

Warranty period of storage of the module is 1 year from the date of adoption of the QC module manufacturer.

9. Acceptance certificate

Powder Fire Extinguishing Module MPP(N)-7,5-KD-1-Z-U2 Specs (TU) 4854-018-13393076-2008

Serial number _____ run No. _____

meets the requirements of spec (TU) 4854-018-13393076-2008 and found fit for use and packaged in accordance with the requirements of technical documentation.

Issue date _____

Total weight of module _____ kg

QCD _____

Manufacturer: Kalancha Ltd., 141313, 22/1, Zheleznodorognaya st., Sergiev Posad, Moskovskaya oblast, Russia. Tel/fax +7 (495) 721-26-54

E-mail: kalancha@kalancha.ru

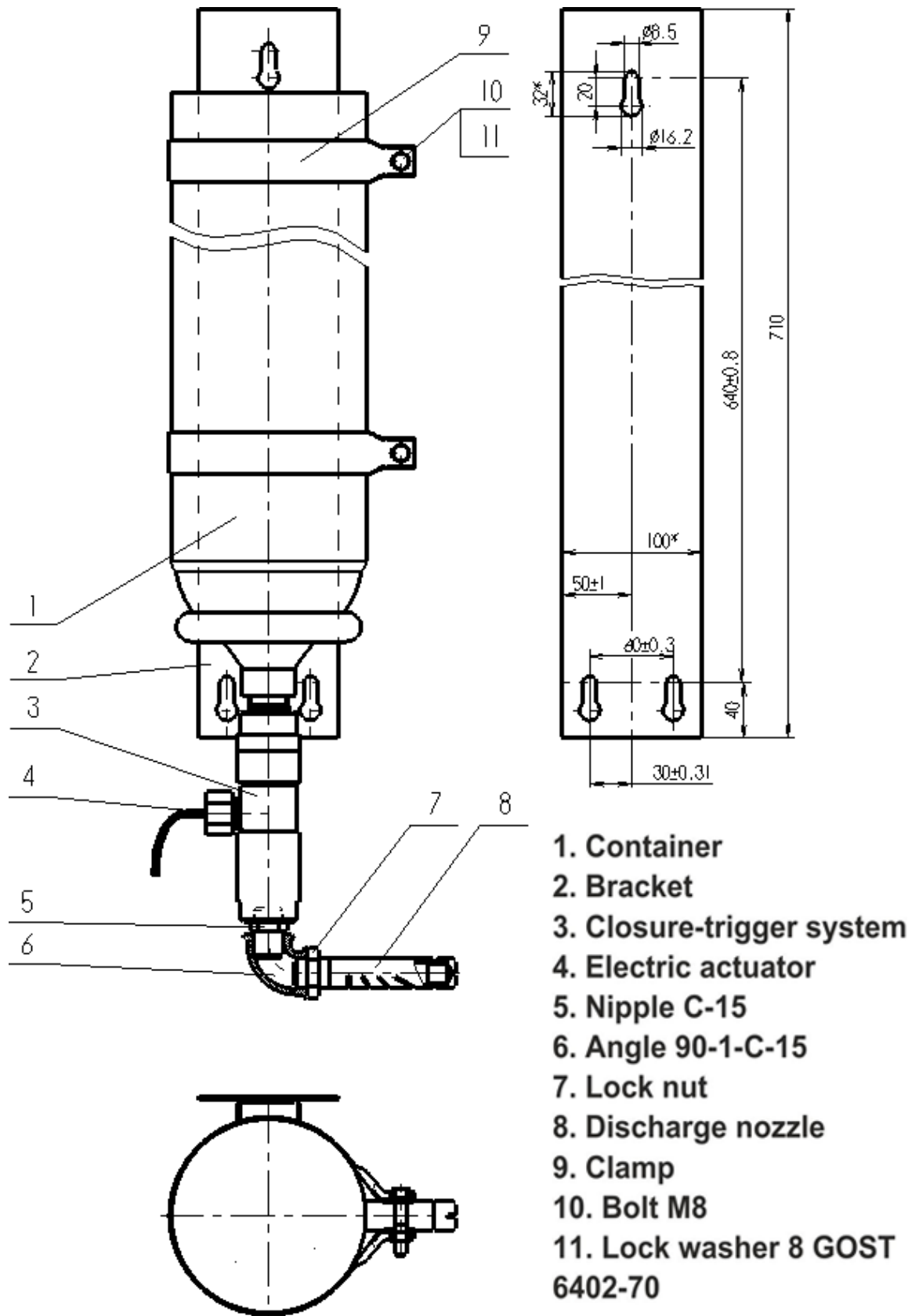


Fig. Dry chemical fire extinguishing module MPP(N)-7,5-KD-1-3-U2.
 (The module is shown in transport position)